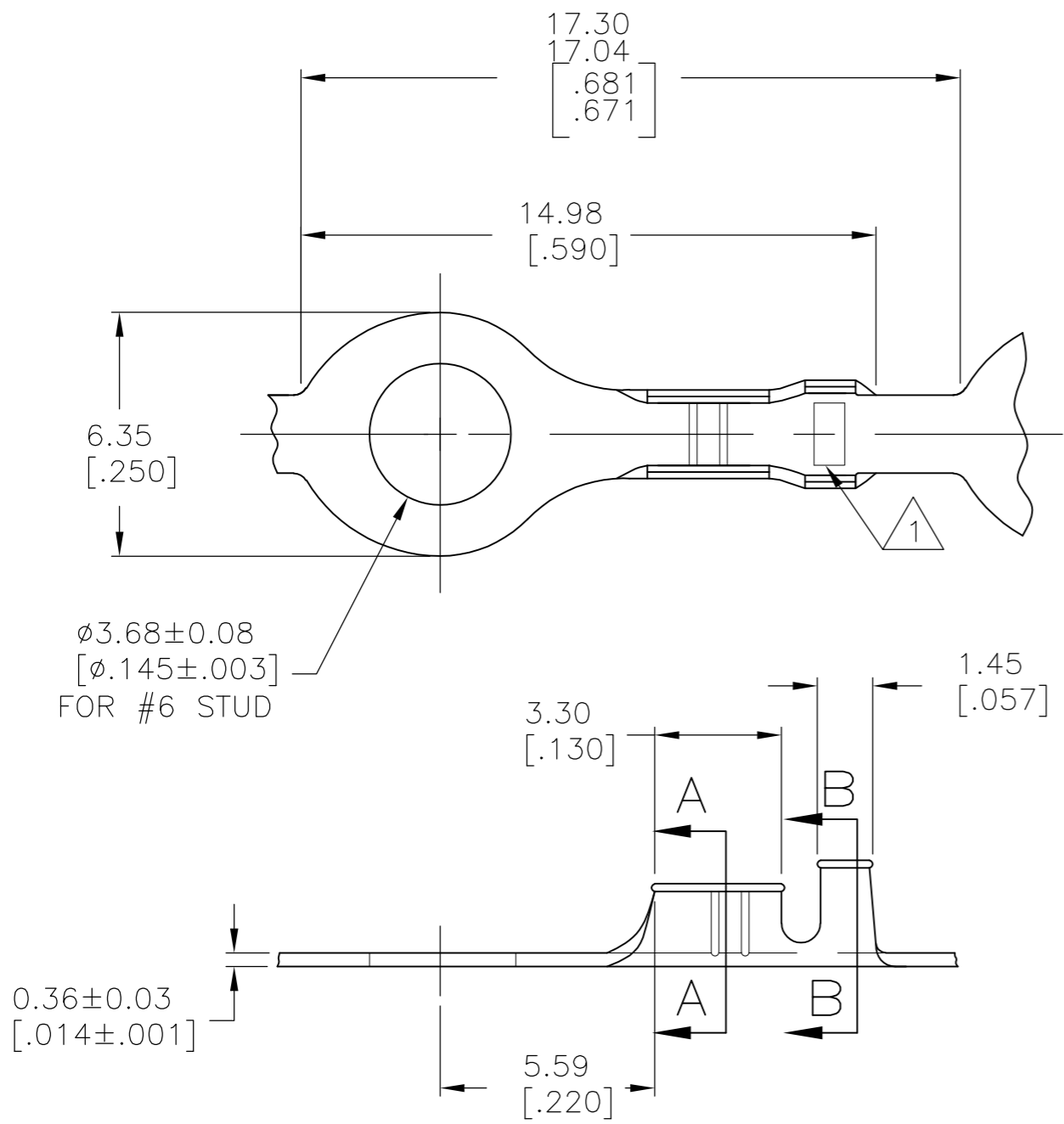
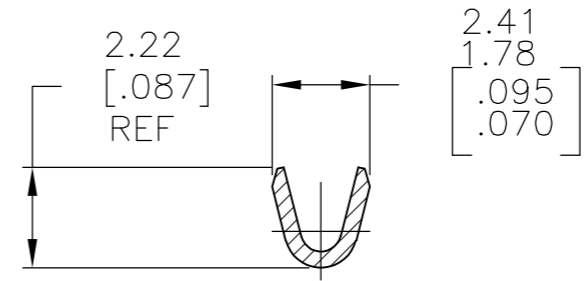


THIS DRAWING IS UNPUBLISHED. RELEASED FOR PUBLICATION
 © COPYRIGHT BY TYCO ELECTRONICS CORPORATION. ALL RIGHTS RESERVED.

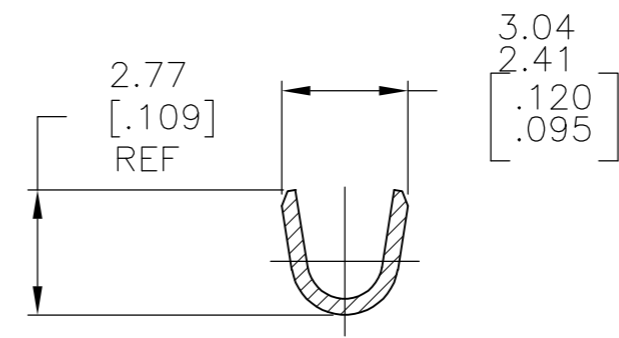
LOC	DIST	REVISIONS			
P	LTR	DESCRIPTION	DATE	DWN	APVD
AF	50	B1	REVISED PER ECR-07-030301	07MAY08	HMR JR



1 STAMPING: AMP FOR 60553-1
 AMP* FOR 60553-3



SECTION A-A



SECTION B-B

24-20	1.22 [.048] - 1.98 [.078]	PHOS BRONZE	60553-3
		BRASS	60553-1
WIRE SIZE AWG	INSULATION RANGE	MATERIAL	TERMINAL NUMBER

THIS DRAWING IS A CONTROLLED DOCUMENT.		DWN RAGHAVENDRA 07MAY08	Tyco Electronics Corporation Harrisburg, PA 17105-3608	
DIMENSIONS: mm [INCHES]	TOLERANCES UNLESS OTHERWISE SPECIFIED:	CHK JEFF RUT 07MAY08	NAME	
	0 PLC ± -	APVD JEFF RUTH 07MAY08	RING	
	1 PLC ± -	PRODUCT SPEC	SIZE CAGE CODE DRAWING NO RESTRICTED TO	
	2 PLC ± -	APPLICATION SPEC	A3 00779 C-60553	
	3 PLC ± 0.38 [.015]	WEIGHT -	SCALE 6:1 SHEET 1 OF 1 REV B1	
	4 PLC ± -	CUSTOMER DRAWING		
	ANGLES ± 1' 0'			
MATERIAL SEE TABLE	FINISH TIN			